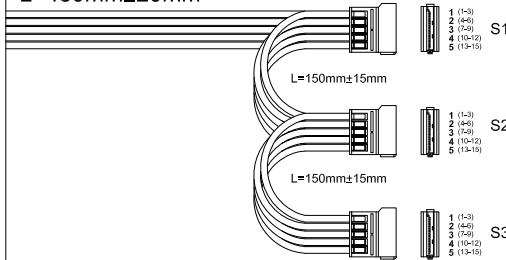
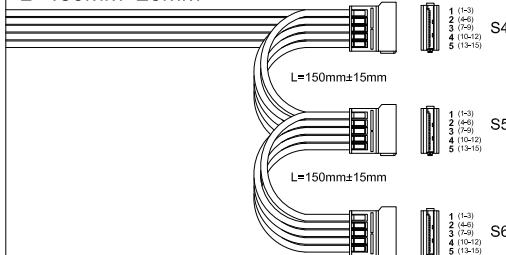


VERSIONS			
VER	DESCRIPTION	SIGN	DATE

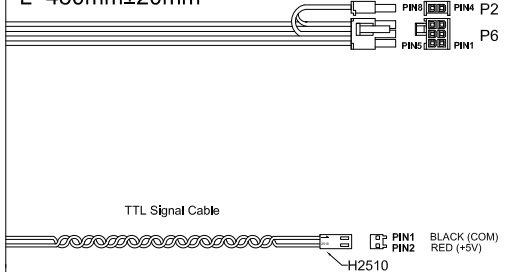
L=480mm±20mm



L=480mm±20mm



L=480mm±20mm



TTL Signal Cable



SATA HDD
HOUSING : MOLEX 67582 series or equivalent
TERMINAL : MOLEX 67581 series or equivalent

Housing	Pin No.	WIRE COLOR	SIGNAL	WIRE TYPE	LENGTH
S1	1	ORANGE / ORANGE	+3.3V	18AWG	480mm±20mm
	2	BLACK / BLACK	COM	18AWG	
	3	RED / RED	+5V	18AWG	
	4	BLACK / BLACK	COM	18AWG	
	5	YELLOW / YELLOW	+12V	18AWG	
S2	1	ORANGE / ORANGE	+3.3V	18AWG	150mm±15mm
	2	BLACK / BLACK	COM	18AWG	
	3	RED / RED	+5V	18AWG	
	4	BLACK / BLACK	COM	18AWG	
	5	YELLOW / YELLOW	+12V	18AWG	
S3	1	ORANGE	+3.3V	18AWG	150mm±15mm
	2	BLACK	COM	18AWG	
	3	RED	+5V	18AWG	
	4	BLACK	COM	18AWG	
	5	YELLOW	+12V	18AWG	

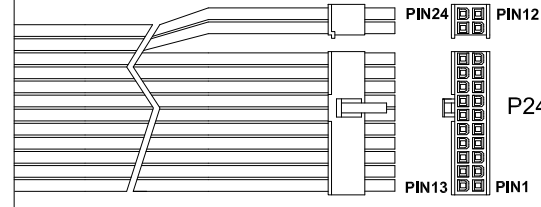
6+2Pins(PCI Express)
HOUSING : MOLEX 45559 series or equivalent
TERMINAL : MOLEX 5556 series or equivalent

Housing	Pin No.	WIRE COLOR	SIGNAL	WIRE TYPE	LENGTH
P6	1	YELLOW	+12V	18AWG	480mm±20mm
	2	YELLOW	+12V	18AWG	
	3	YELLOW	+12V	18AWG	
	5	BLACK	COM	18AWG	
	6	BLACK/BLACK	COM	18AWG	
	7	BLACK/BLACK	COM	18AWG	
	P2	4	BLACK	COM	
8		BLACK	COM	20AWG	

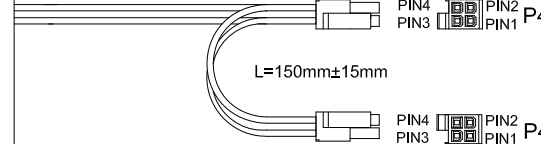
TTL Signal Connector HOUSING: Molex 22-01-3027 or equivalent

Pin No.	WIRE COLOR	SIGNAL	WIRE TYPE	LENGTH
1	BLACK	COM	24AWG	860mm ±20mm
2	RED	+5V	24AWG	

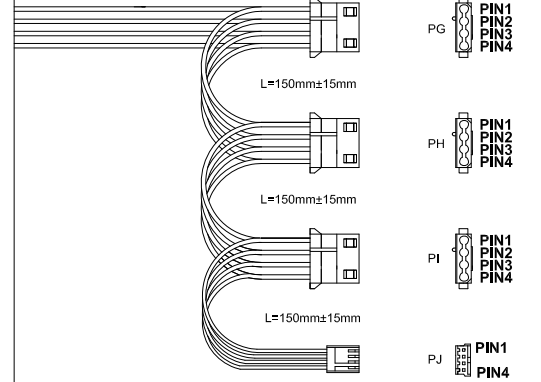
L=480mm±20mm



L=480mm±20mm



L=480mm±20mm



20+4Pins(EPS12V)
HOUSING : MOLEX 5557 series or equivalent
TERMINAL : MOLEX 5556 series or equivalent

Housing	Pin No.	WIRE COLOR	LENGTH	Pin No.	WIRE COLOR	LENGTH
P24	1	ORANGE(+3.3V)	480mm/18AWG	13	ORANGE(+3.3V)	480mm/18AWG
	2	ORANGE(+3.3V)	480mm/18AWG	14	BLUE(-12V)	480mm/18AWG
	3	BLACK(GND)	480mm/18AWG	15	BLACK(GND)	480mm/18AWG
	4	RED(+5V)	480mm/18AWG	16	GREEN(PS-ON)	480mm/24AWG
	5	BLACK(GND)	480mm/18AWG	17	BLACK(GND)	480mm/18AWG
	6	RED(+5V)	480mm/18AWG	18	BLACK(GND)	480mm/18AWG
	7	BLACK(GND)	480mm/18AWG	19	BLACK(GND)	480mm/18AWG
	8	GRAY(PG)	480mm/24AWG	20	NC	
	9	PURPLE(+5VSB)	480mm/18AWG	21	RED(+5V)	480mm/18AWG
	10	YELLOW(+12V)	480mm/18AWG	22	RED(+5V)	480mm/18AWG
	11	YELLOW(+12V)	480mm/18AWG	23	RED(+5V)	480mm/18AWG
	12	ORANGE(+3.3V)	480mm/18AWG	24	BLACK(GND)	480mm/18AWG

4Pins+4Pins(ATX12V, FOR P4)
HOUSING : MOLEX 5557 series or equivalent
TERMINAL : MOLEX 5556 series or equivalent

Housing	Pin No.	WIRE COLOR	SIGNAL	WIRE TYPE	LENGTH
P4A	1	BLACK/BLACK	COM	18AWG	480mm±20mm
	2	BLACK/BLACK	COM	18AWG	
	3	YELLOW/YELLOW	+12V	18AWG	
	4	YELLOW/YELLOW	+12V	18AWG	
P4B	1	BLACK	COM	20AWG	150mm±15mm
	2	BLACK	COM	20AWG	
	3	YELLOW	+12V	20AWG	
	4	YELLOW	+12V	20AWG	

4Pins(HD/CD-ROM/RW);PA-PJ
HOUSING : MOLEX 8981 series or equivalent
TERMINAL : MOLEX 8980 series or equivalent
4Pins(FLOPPY DISK);PJ
HOUSING : AMP 171822 series or equivalent
TERMINAL : AMP 170262 series or equivalent

Housing	Pin No.	WIRE COLOR	SIGNAL	WIRE SIZE	LENGTH
PG	1	YELLOW/YELLOW	+12V	18AWG	480mm ±20mm
	2	BLACK/BLACK	COM	18AWG	
	3	BLACK/BLACK	COM	18AWG	
	4	RED/RED	+5V	18AWG	
PH	1	YELLOW/YELLOW	+12V	18AWG	150mm ±15mm
	2	BLACK/BLACK	COM	18AWG	
	3	BLACK/BLACK	COM	18AWG	
	4	RED/RED	+5V	18AWG	
PJ	1	YELLOW	+12V	24AWG	150mm ±15mm
	2	BLACK	COM	24AWG	
	3	BLACK	COM	24AWG	
	4	RED	+5V	24AWG	

容許公差 TOLERANCE .XXX= .XX= .X=	材料規格 MATERIAL	單位 UNIT	mm	CRS
核査者 APPROVE BY	審核者 CHECK BY	繪圖者 DRAW BY	圖號 DRAW NO.	
投影法 PROJECTION 第三角法	Waylon	版本 VERSION	A0	品名 MODEL NO.
		日期 DATE	2020/12/04	料號 PART NO.
				PIST1050/60-EP5H-80-N